

### Features

- Heavy duty frame construction
- Stationary collection nozzle
- Heavy duty direct drive system
- Screen guide rollers for stability and alignment
- Shipped one piece fully assembled

### Options

- Compressed air back blow nozzles to assist cleaning the screen
- Various screen options

### Industries:

Textiles, paper, tobacco, wood, plastics, agricultural & rubber dust applications.

### Available Services:

- System Integration
- Industrial Ventilation
- Material Handling
- Power & Controls
- Manufacturing

### Product Description:

ATMOS360'S Pre Separator is an automatic self cleaning rotating screen with a stationary nozzle that separates larger particles & heavy dust loads from the air stream.

### Features and Benefits

- Typically used as a pre-filter or first-stage filtration.
- Frame is constructed from heavy-duty square tubing.
- Quick screen replacement, no tools required
- Various screen & perforated filter options



### *PRE-SEPARATOR FILTERS*

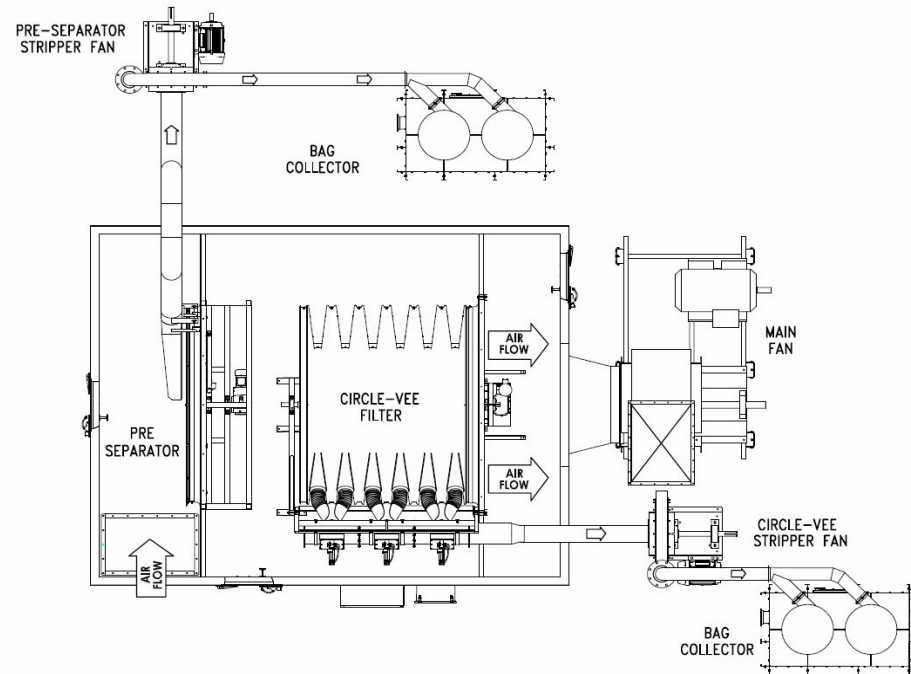
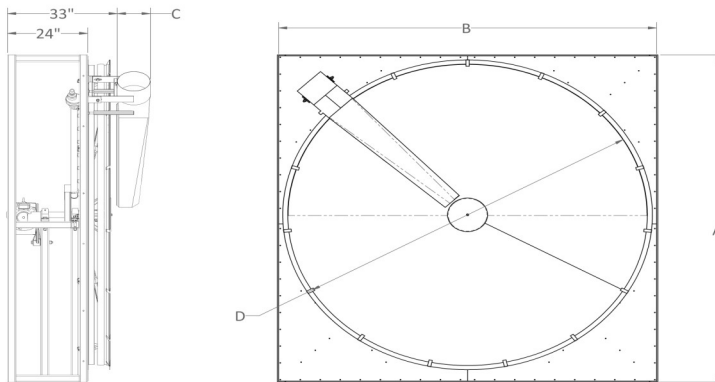
**64 CIRCLE FREEWAY DR  
CINCINNATI, OH 45246  
[www.atmos360.com](http://www.atmos360.com)  
Phone: 513-330-5442  
E-mail: [info@atmos360.com](mailto:info@atmos360.com)**

## Pre-Separator Filter Models & Capacities

NUMBER	MODEL	FILTER CAPACITY CFM	A HEIGHT	B WIDTH	C DIA.	D DIA.
650300	PS50	10,000 - 15,000	5'-9"	5'-6"	8"	59"
650250	PS60	15,000 - 20,000	6'-9"	6'-6"	8"	71"
650140	PS70	20,000 - 30,000	7'-9"	7'-6"	10"	83"
650100	PS80	30,000 - 40,000	8'-9"	8'-6"	10"	95"
650000	PS90	40,000 - 50,000	9'-9"	9'-6"	10"	107"
650200	PS100	50,000 - 60,000	10'-9"	10'-6"	10"	120"

### Pre Separator Construction

The Pre Separator frame is constructed from 2 1/2" heavy duty square steel tubing. The screen is fabricated from rolled angle iron with 2" x 1/4" flat bar spokes. The filter screen is woven polyester material with a draw band sewn around the circumference.



- Nozzles: fabricated from steel.
- Gear drive: Heavy duty gear box driven by 1 HP gear motor
- Seal: One part polyester heavy duty felt
- Drive Shaft: Heavy duty 1 15/16" solid steel with pillow block bearings at each end
- Filter Screens: Selected for specific application. Contact sales for recommendations.

ATMOS360, Inc

64 Circle Freeway Dr

Cincinnati, OH 45246

Phone: (513) 330-5442