

Features:

Sizes 4" through 16" diameter available Cast aluminum housing, with a 3" overall flange width Self cleaning design. Rated up to 50" W.G. Rated up to 250°F

Power Requirements

115V or 24V 70 PSI compressed air supply

Industries:

Textiles, paper, tobacco, wood, plastics, agricultural & rubber dust applications.

Available Services:

- System Integration
- Industrial Ventilation
- Material Handling
- Power & Controls
- Manufacturing

Product Description:

ATMOS360'S On/Off Blast gates are constructed from a two piece cast aluminum body which is only 3" overall width flange to flange. Each valve has identical inlet & outlet diameters with standard angle bolt hole patterns. The gate is manufactured from 1/2" thick durable UHMW plastic for maximum strength & efficiency. The self cleaning design keeps maintenance to an absolute minimum.

Features and Benefits:

- Application: Air diverter & dust collection systems.
- Sizes: 4" thru 16" (Even Sizes).
- Overall 3" width flange to flange.
- Pressure: Up to 50" W.G.

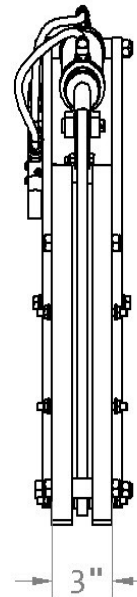
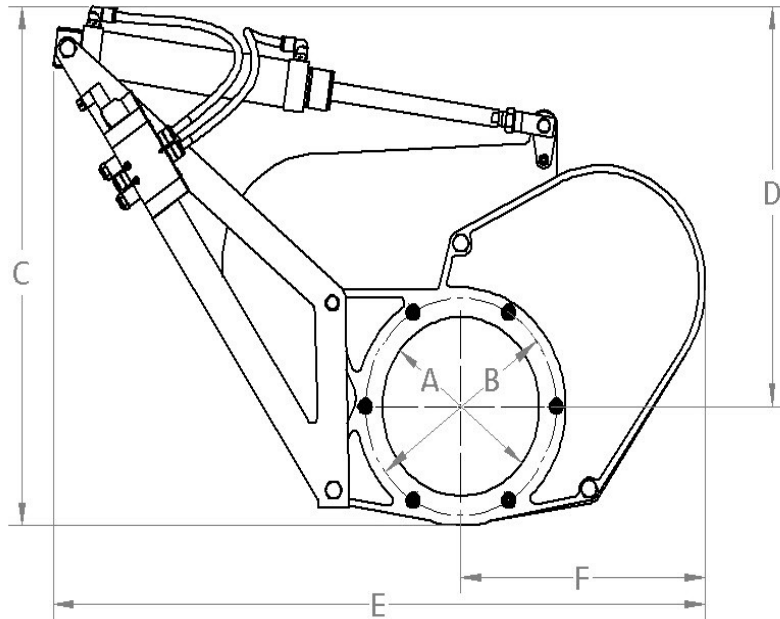


HIGH PRESSURE BLAST GATE

**64 CIRCLE FREEWAY DR
CINCINNATI, OH 45246
www.atmos360.com
Phone: 513-330-5442
E-mail: info@atmos360.com**

High Pressure Blast Gate Model

| MODEL | A | B | C | D | E | F |
|--------|-----|---------|-----|-----|-----|-----|
| 620021 | 4" | 5-5/16" | 13" | 10" | 22" | 7" |
| 620040 | 6" | 7-5/16" | 15" | 11" | 27" | 9" |
| 620120 | 8" | 9-9/16" | 23" | 18" | 33" | 12" |
| 620060 | 10" | 11-1/2" | 24" | 17" | 40" | 16" |
| 620080 | 12" | 14" | 28" | 20" | 45" | 18" |
| 620180 | 14" | 16" | 35" | 26" | 52" | 22" |
| 620100 | 16" | 18" | 37" | 27" | 56" | 23" |



Replacement Parts

| PART NUMBER | DESCRIPTION |
|-------------|---------------------------|
| 620038 | SEAL KIT, BLAST GATE, 4" |
| 620039 | SEAL KIT, BLAST GATE, 6" |
| 620121 | SEAL KIT, BLAST GATE, 8" |
| 620075 | SEAL KIT, BLAST GATE, 10" |
| 620096 | SEAL KIT, BLAST GATE, 12" |
| 620181 | SEAL KIT, BLAST GATE, 14" |
| 620117 | SEAL KIT, BLAST GATE, 16" |

ATMOS360, Inc
 64 Circle Freeway Dr
 Cincinnati, OH 45246
 Phone: (513) 330-5442