

Features:

Unit occupies 40% to 50% less space than comparable volume drum filters. Can utilize all high efficiency media. Bungee cord holding device simplifies media removal and installation. Heavy duty stationary cast aluminum nozzles. Low maintenance & cost requirements. The Circle Vee is fabricated from heavy duty structural steel.

Options:

Split plenum wall & cages
Single or double outlet

Industries:

Textiles, paper, tobacco, wood, plastics, agricultural & rubber dust applications.

Available Services:

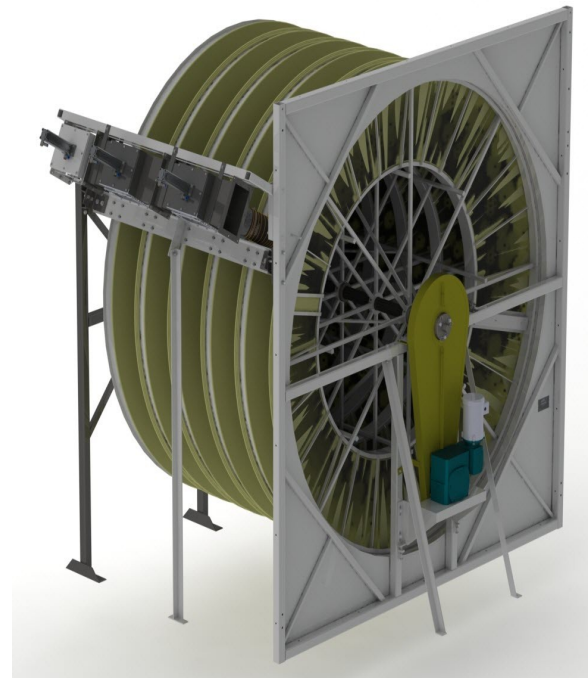
- System Integration
- Industrial Ventilation
- Material Handling
- Power & Controls
- Manufacturing

Product Description

The ATMOS360 Circle Vee Drum Filter is a revolutionary concept in air filtration. With its unique design, the Circle Vee can be installed in a fraction of the space required for conventional systems. The stationary nozzles clean both sides of the media as the Circle Vee rotates. The stripper fan cleans fine dust and other materials from the filter media making the Circle Vee completely self cleaning. Clean media assures a uniform pressure throughout the system.

The filter media collects airborne particulate causing the static pressure to increase. pressure differential switch senses the increase and activates the cleaning cycle. Dust is vacuumed from the rotating filter media and transported to a dust collector for further disposal or processing.

The Circle Vee is available in a wide range of sizes and configurations to accommodate air flow rates from 5,500 cfm to 136,000. See our capacity data sheet for more information on sizes, configurations and air flow rates.



AUTOMATIC SELF CLEANING CIRCLE-VEE FILTERS

**64 CIRCLE FREEWAY DR
CINCINNATI, OH 45246**

www.atmos360.com

Phone: 513-330-5442

E-mail: info@atmos360.com

Circle Vee Models & Capacities

MODEL	MEDIA AREA SQ. FT.	MEDIA FACE VELOCITY		
		50 CFM	100 CFM	150 CFM
84-2	110	5,496	10,922	16,488
84-3	165	8,244	16,488	24,732
84-4	220	10,992	21,948	32,976

96-2	131	6,540	13,080	19,620
96-3	197	9,810	19,620	29,430
96-4	263	13,080	26,160	39,240
96-5	329	16,350	32,700	49,050
96-6	395	19,620	39,240	58,860

MODEL	MEDIA AREA SQ. FT.	MEDIA FACE VELOCITY		
		50 CFM	100 CFM	150 CFM
108-3	228	11,382	22,746	34,146
108-4	304	15,176	30,352	45,528
108-5	380	18,970	37,940	56,910
108-6	456	22,764	45,528	68,292
108-7	532	26,558	53,116	79,674
108-8	608	30,400	60,800	91,200
*108-10	760	38,000	76,000	114,000
*108-12	912	45,000	91,200	137,400

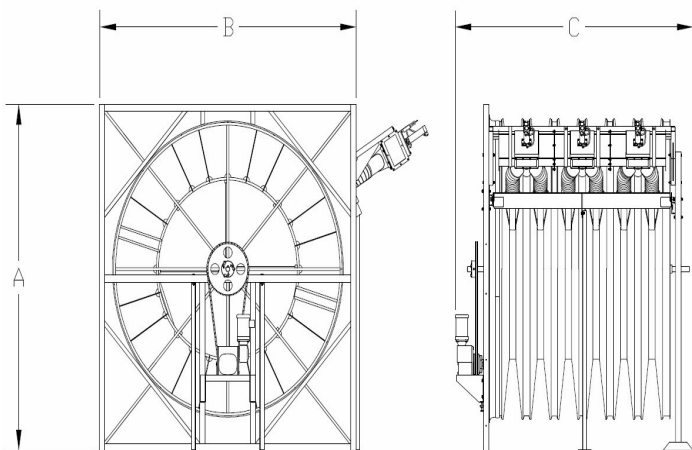
MODEL	MEDIA AREA SQ. FT.	MEDIA FACE VELOCITY		
		50 CFM	100 CFM	150 CFM
120-3	259	12,951	25,902	38,853
120-4	346	17,268	34,536	51,804
120-5	432	21,585	43,170	64,755
120-6	519	25,902	51,804	77,706
120-7	605	30,219	60,438	90,657
120-8	692	34,536	69,072	103,608

132-3	289	14,422	28,884	43,346
132-4	386	19,256	38,512	57,768
132-5	483	24,070	48,140	72,210
132-6	580	28,884	57,768	86,652
132-7	677	33,698	67,396	101,094
132-8	774	38,512	77,024	115,536

Model number determined by cage diameter (*in inches*) & number of cages. Standard sizes are listed—special sizes available upon request.

*Denotes double outlet

Circle Vee Dimensions



MODE L	A HEIGH T	B WIDT H
84	8'-6"	8'-0"
96	9'-6"	9'-0"
108	10'-6"	10'-0"
120	11'-6"	11'-0"
132	12'-6"	12'-0"

NO. OF VEES	C LENG T H
2	5'-0"
3	6'-1"
4	7'-2"
5	8'-3"
6	9'-4"
7	10'-5"
8	11'-6"
*10	12'-7"
*12	13'-8"

Replacement Parts

PART NUMBER	DESCRIPTION
909137	MOTOR 3/4 HP, 1750 RPM, 460/3/60, 3PH
909165	NO 60, 35T SPROCKET
640206	NO 60, 80T SPROCKET ASSY

ATMOS360, Inc
64 Circle Freeway Dr
Cincinnati, OH 45246
Phone: (513) 330-5442